



A Place For All Your Stuff!

[Be The First To Know About Energy Additions & Updates - Click Here](#)

[Alternative Energy Resources.](#)

Offers An E-book Titled Understanding And Installing Your Own Solar Electric System. Includes Worksheets, & Resources....

[Renewable Energy Solutions.](#)

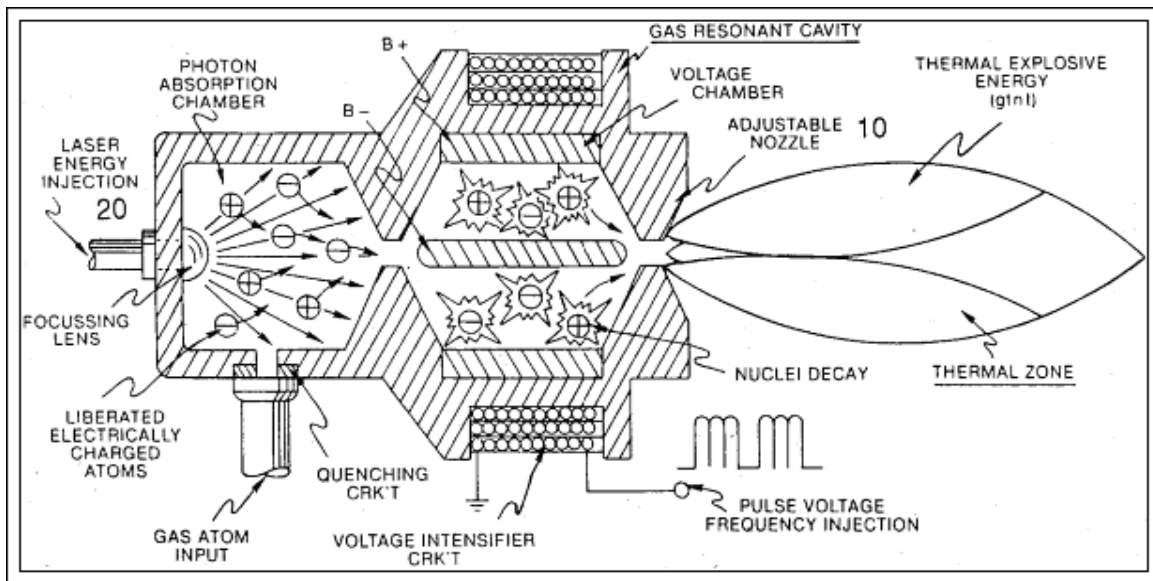
Your Guide To Solar Panels, Wind Generators And More! 14 Years Experience Living Off Grid....

[Build A Solar Poolheater For Under \\$100.](#)

Highly Popular Project With Over 12000 Web And EBay(R) Sales To Its Credit. A Reliable Revenue Source For Affiliates....



Stanley Meyer Water Fuel Cell.



Everyone knows that hydrogen and oxygen can be split from water by the application of electricity across plates submerged in a container of water. This is called hydrolysis and it requires a lot of electrical energy to produce worthwhile volumes of gases. Not only is this process energy hungry but the gases produced are also very dangerous to store and they burn too rapidly to be of effective use as fuels.

Stanley Meyer has worked with these problems (1970's to 1991) and has invented devices that solve beyond expectation all of the related difficulties in harnessing water as a fuel. The knowledge developed by him is relatively easy to grasp and can be applied by anyone with electrical, handyman skills and a decently good home workshop.

In a nutshell,..... water will break into it's elemental parts when exposed to a specific electrical polarity and condition. The first trick is to modify the electrical input so that it resonates in synchronization with the water and it's cell. When the pulse train is at resonance and voltage high, a correctly set up cell consumes near milli amps of power yet, water is rapidly converted to it elemental gases. When this gas mixture is mixed with air and noncombustible gases (exhaust gas) it will burn with a slow enough combustion rate to use as petrol substitution. Storage of the fuel gas is not required as the fuel is produced instantly on demand.

If these elemental gases are further exposed to excitement by the resonating stimulus of electrical fields and laser

energy, intense thermal explosive energies will be released which are the result of entire molecular disintegration!! See drawing at the top of this page.

A new form of nuclear energy?

I've also been fortunate to learn as what has been described as "Cold Electricity" This form of electricity was first described and utilized by N Tesla with his wireless transmission of power. The device uses high voltage DC pulsed through a spark gap. Electrostatic fields are gathered. This process effectively splits the magnetic component from the electric. Liberated from the bonds of magnetism, the electric field is an entirely different and highly dynamic animal!! Note that Stan's device also has a high DC voltage pulsed and a spark gap.....

Below you'll find material from 7 US patents lodged by Stan in 1991

The zip files contain an html doc. of the patent and it's associated drawings.

[Production of a fuel gases](#)

[zip](#)

[Gases generator. Voltage control circuit](#)

[zip](#)

[Gases injector system](#)

[zip](#)

[Electrical generator](#)

[zip](#)

[Gases burner](#)

[zip](#)

[Start-up shut-down for gases burner](#)

[zip](#)

[Thermal energy from gases](#)

[zip](#)

The above patents will keep anyone busy for quite some time. I know I have, and all I've learnt from them appears both plausible and most exciting stuff. I've not done much in the way of building circuits as electronics are not my thing, mind you, if any of you out there are working towards functioning devices or have got workable results, I'd love to know how things are going...

[An asc article about Stanley Meyer](#)

Additional Illustrations gathered of Stanley Meyer patent applications from the internet not sure of source possibility of them from [Keelynet.com](#)

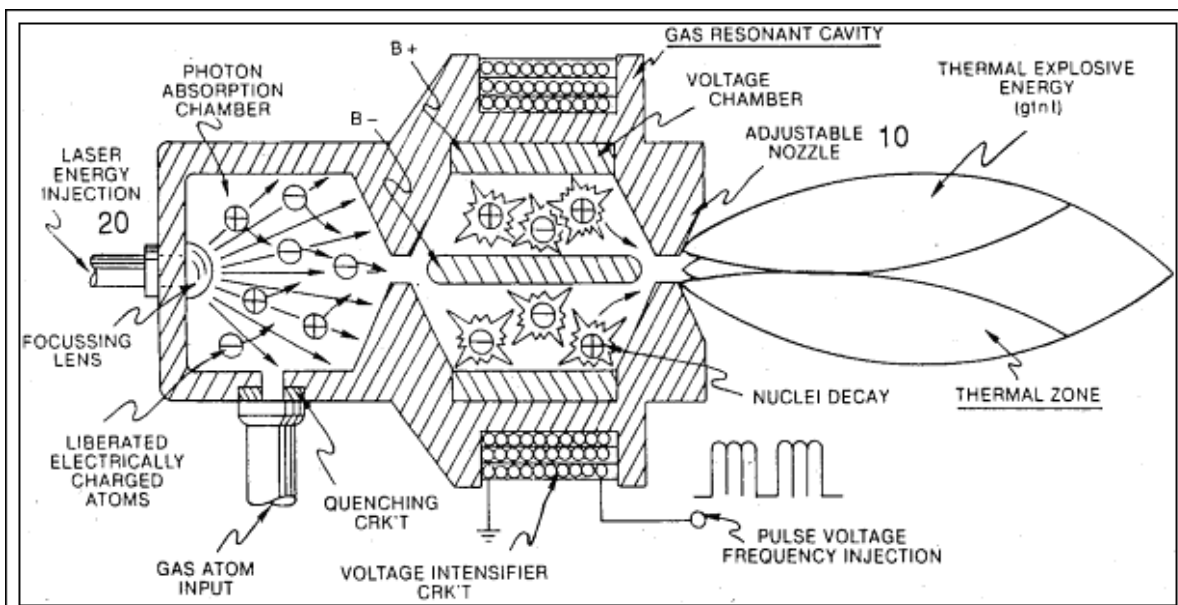
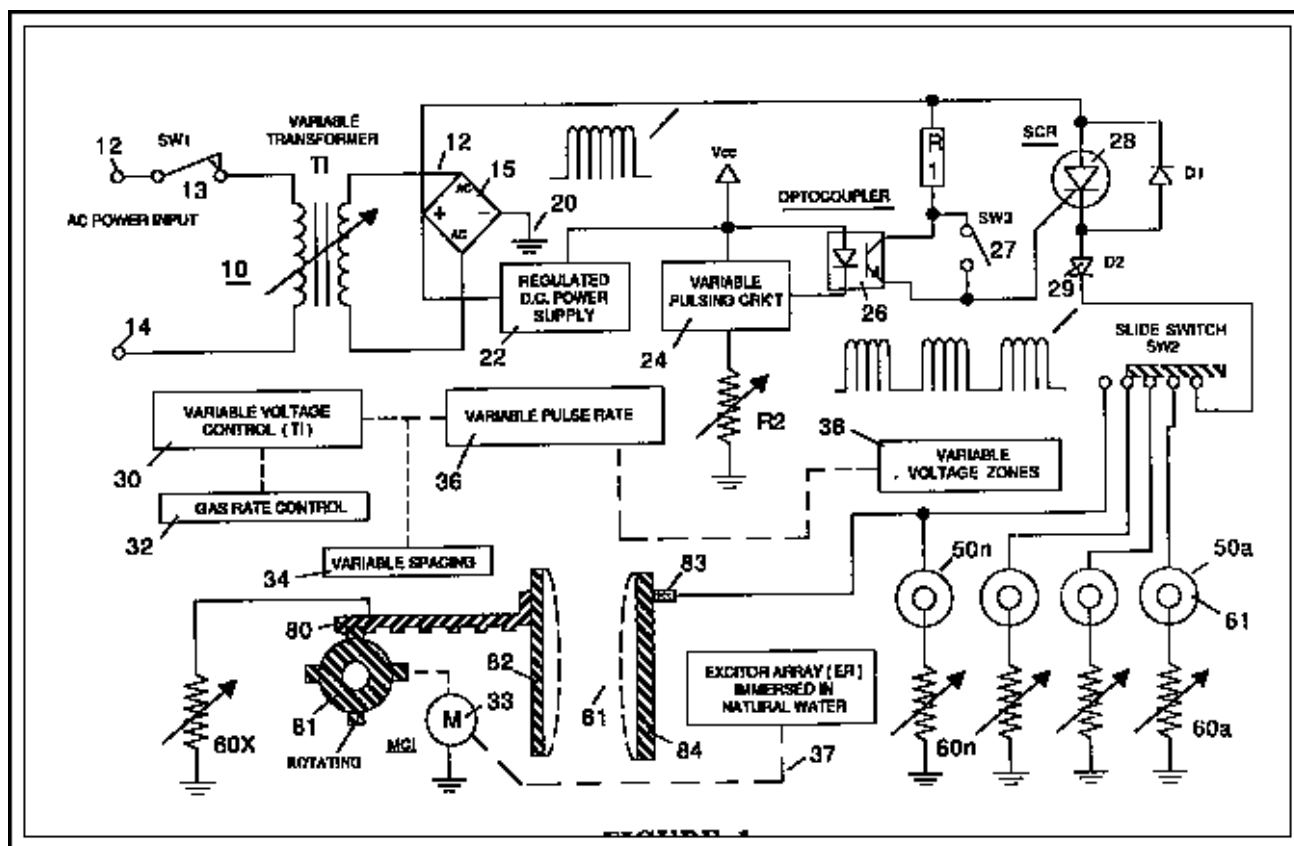
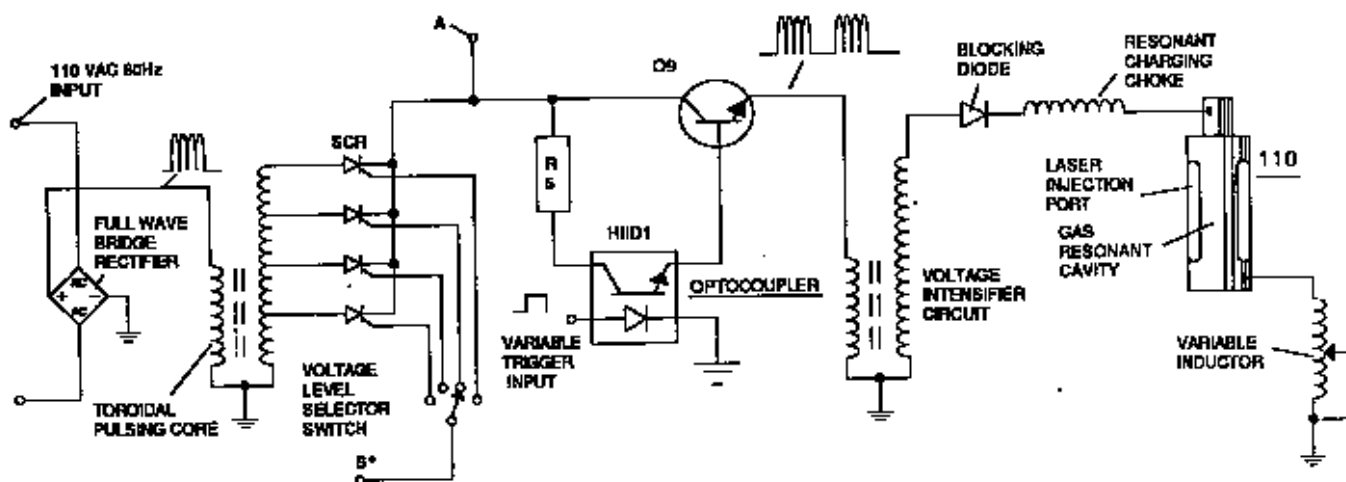
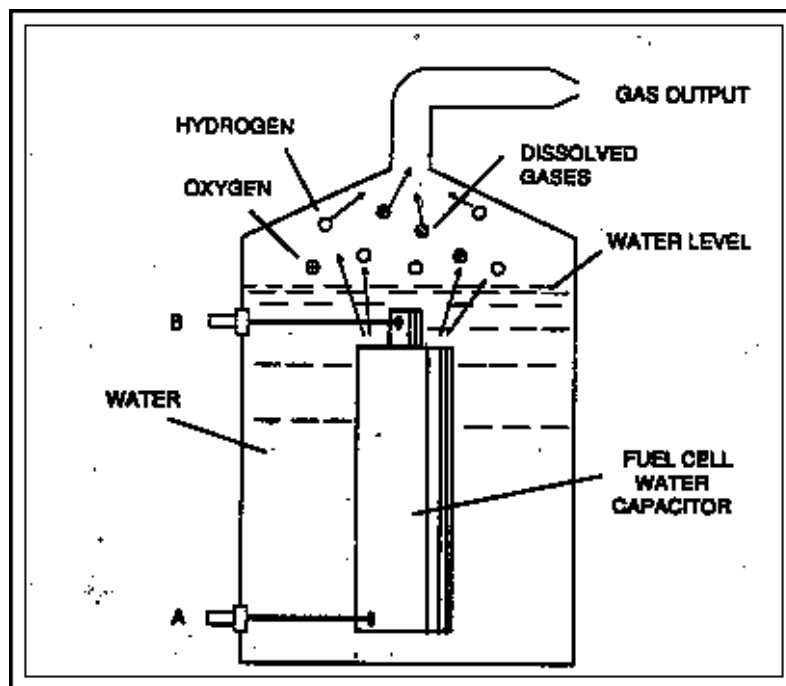
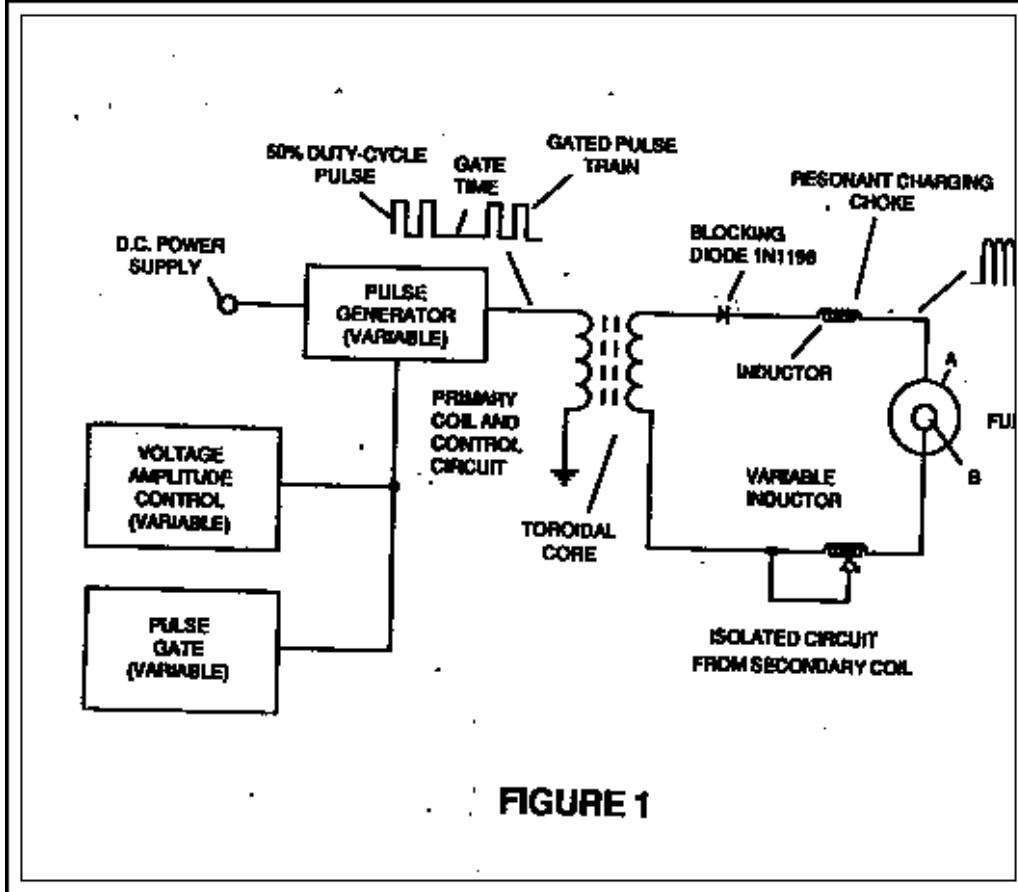


FIG. 9





[Articles in this series copied from Karal Studio's webpage with Permission](#)
[email the original Karal web site owner](#)

[**Encyclopedia of free energy now on CD click for more information**](#)

